

MOTOR SPECIFICATION SHEET

MODEL : SF-QR 5HP 6P (HT)

USED FOR : STANDARD

| DESCRIPTION | DETAIL | | |
|----------------------------------|--|------|--|
| PHASE | 3 | | |
| MODEL NAME | SF-QR | | |
| RATED OUTPUT, HP (kW) | 5 (3.7) | | |
| POLE | 6 | | |
| CODE | MEATH CODE : 1M002F-600370QRMJ0 | | |
| OUTLINE DRAWING NO. | ONM24O161-C | | |
| RATED VOLTAGE (V) | 380 | 415 | |
| RATED FREQUENCY (Hz) | 50 | 50 | |
| RATED CURRENT (A) | 8.52 | 8.50 | |
| RATED SPEED (min ⁻¹) | 950 | 960 | |
| RATED EFFICIENCY (%) | 81.8 | 81.5 | |
| EFFICIENCY CLASS | IE1 | | |
| THERMAL CLASS | 155(F) | | |
| RATING | S1 (CONTINUOUS) | | |
| ENCLOSURE CONSTRUCTION | TOTALLY ENCLOSED FAN COOLED | | |
| DEGREES OF PROTECTION | IP55 | | |
| METHOD OF COOLING | IC411 | | |
| FRAME NO. | 132S | | |
| WEIGHT (kg) | 46 | | |
| STANDARD | IEC 60034-1, IEC 60034-30-1 | | |
| INSTALLATION | FOOT MOUNTED | | |
| ROTATION | CCW (VIEWED FROM SHAFT END) | | |
| BEARING | LOAD SIDE : 6308ZZ | | |
| | OPPOSITE SIDE : 6207ZZ | | |
| BEARING GREASE | UREA GREASE | | |
| NOISE (dB.A) | 65 | | |
| VIBRATION | V10 | | |
| CIRCUMSTANCE CONDITION | AMBIENT TEMPERATURE : -20 ~ +40°C | | |
| | AMBIENT HUMIDITY : 95%RH OR LESS | | |
| | ABOVE SEA LEVEL : 1000m OR LESS | | |
| | ENVIRONMENT : NO BURSTING/EROSIVE GAS OR VAPOR | | |
| COLOR | MUNSELL N1.5 (BLACK) | | |
| TERMINAL BOX | NO. OF LEAD WIRES : 6 | | |
| | SOURCE CONNECTION : TERMINAL BLOCK | | |
| SHAFT SWING | ≤0.03mm | | |
| MATERIAL | FRAME : STEEL PLATE | | |
| | BRACKET : ALUMINIUM | | |
| | SHAFT : CARBON STEEL | | |
| | STATOR CORE : ELECTRICAL STEEL | | |
| | WIRE : ENAMELLED COPPER MAGNET WIRE | | |
| | ROTOR CORE : ELECTRICAL STEEL | | |
| | CONDUCTOR : ALUMINIUM | | |
| | TERMINAL BOX : STEEL PLATE | | |
| | PAINTING : POLYURETHANE RESIN | | |
| PRODUCTION COUNTRY | THAILAND | | |

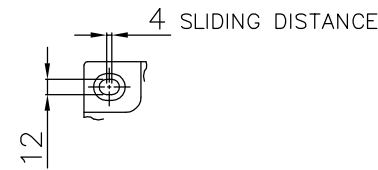
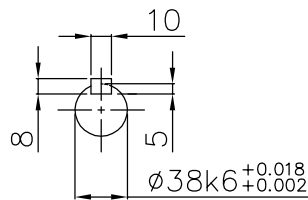
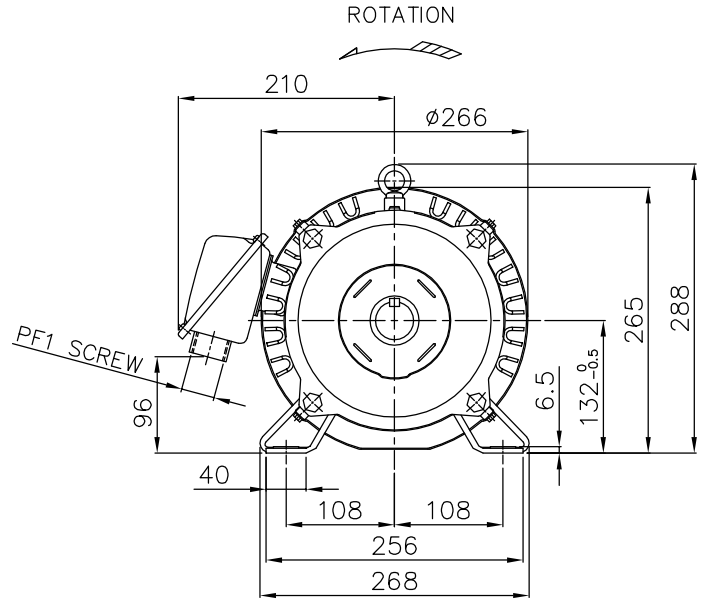
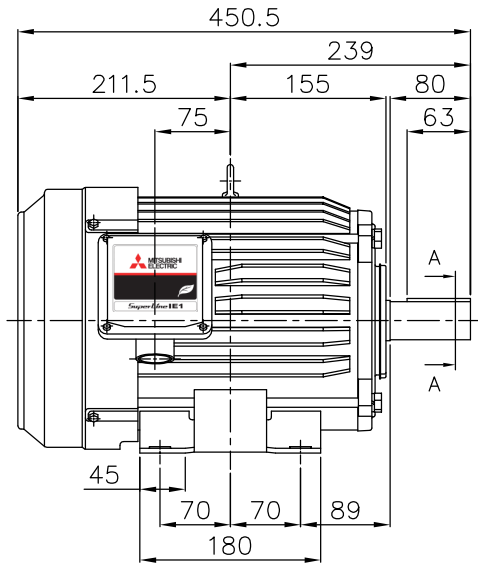
Specifications subject to change without notice.

| | | | | |
|--------------------------------|--|--|--|--|
| SPECIFICATION SHEET NO. | | | | |
| SS-N-2002-A | | | | |

MODEL SF-QR THREE PHASE INDUCTION MOTOR OUTLINE DRAWING

TOTALLY ENCLOSED FAN COOLED TYPE
 DEGREES OF PROTECTION IP55
 DUST & WATER JET PROOF

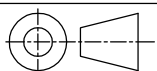
CUSTOMER _____
 USER _____
 FOR _____
 CUSTOMER'S ORDER NO. _____
 QUANTITY _____
 MFG. ORDER NO. _____



| YOUR ORDER | FRAME SIZE | RATING | TH. CLASS | AMB. TEMP. | BEARINGS | | COLOR | DIRECTION OF ROTATION (VIEWED FROM SHAFT END) | NO. OF LEAD WIRES | REMARKS |
|------------|------------|------------|-----------|------------|-----------|-----------|----------------------|---|-------------------|---------|
| | | | | | LOAD SIDE | OPP. SIDE | | | | |
| | 132S | S1 (CONT.) | 155(F) | 40°C | 6308ZZ | 6207ZZ | BLACK (MUNSELL N1.5) | CCW | 6 | |

| YOUR ORDER | OUTPUT | | POLES | VOLTS | HERTZ | AMP. | RPM | IE CODE-RATED EFF. | REMARKS |
|------------|--------|-----|-------|-------------|-------|----------------|----------------|--------------------------|---------|
| | HP | KW | | | | | | | |
| | 7.5 | 5.5 | 2 | 220/380/415 | 50 | 19.7/11.4/11.3 | 2885/2885/2910 | IE1 84.7%/84.7%/84.7% | LT |
| | 10 | 7.5 | 2 | 220/380/415 | 50 | 25.5/14.7/14.0 | 2890/2890/2910 | IE1 86.0%/86.0%/86.0% | LT |
| | 7.5 | 5.5 | 4 | 220/380/415 | 50 | 20.2/11.7/11.6 | 1450/1450/1460 | IE1 84.7%/84.7%/84.7% | LT |
| | 5 | 3.7 | 6 | 220/380/415 | 50 | 14.5/8.4/8.3 | 950/950/960 | IE1 81.8%/81.8%/81.5% | LT |
| | 7.5 | 5.5 | 2 | 380/415 | 50 | 11.4/11.2 | 2900/2910 | IE1 84.7%/84.7% | HT |
| | 10 | 7.5 | 2 | 380/415 | 50 | 14.8/14.2 | 2900/2920 | IE1 86.0%/86.0% | HT |
| | 7.5 | 5.5 | 4 | 380/415 | 50 | 11.7/11.7 | 1450/1460 | IE1 85.8%/85.6% | HT |
| | 5 | 3.7 | 6 | 380/415 | 50 | 8.52/8.50 | 950/960 | IE1 81.8%/81.5% | HT |

MITSUBISHI ELECTRIC AUTOMATION (THAILAND) CO., LTD.



DIMENSION IN mm.
 SCALE : NTS

OUTLINE DRAWING NO.

REV.

0 N M 2 4 0 1 6 1 C